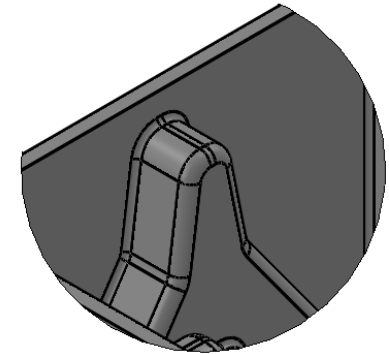
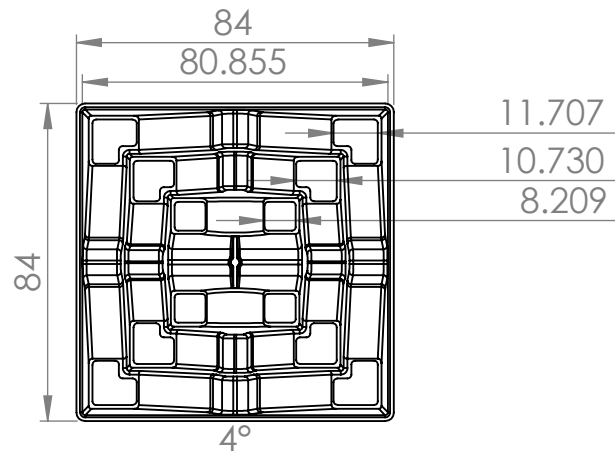
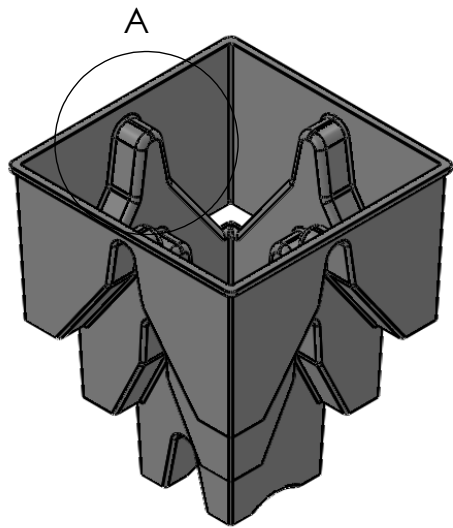
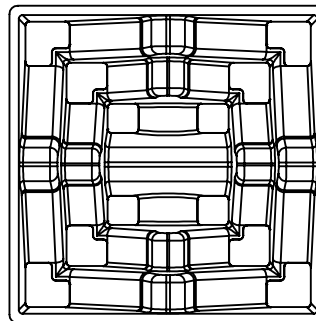
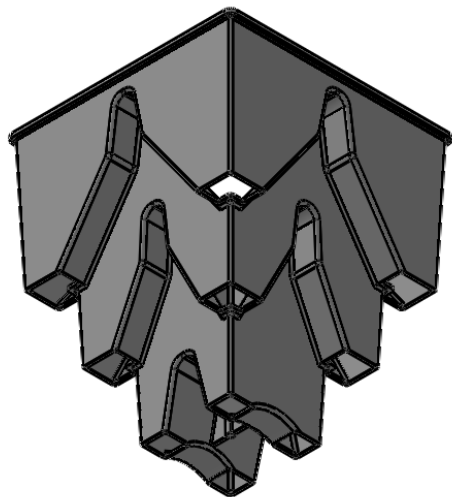
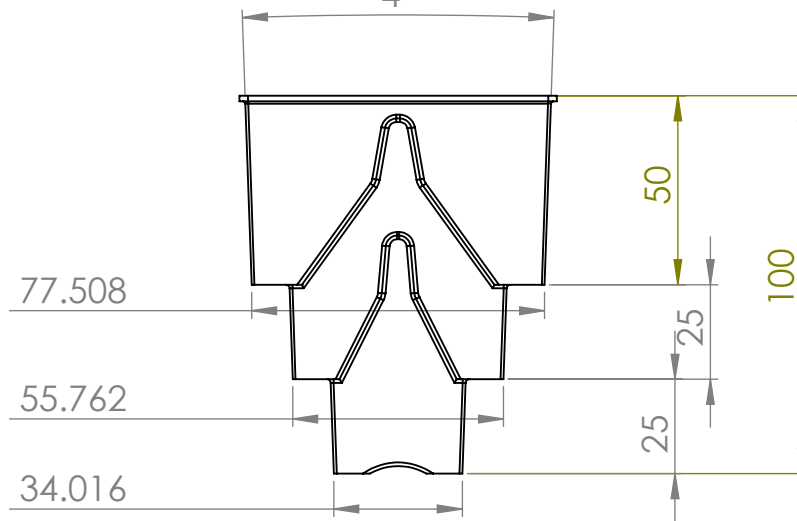


VOLUME; 320 cm³



DETAIL A
SCALE 1 : 1



Proprietary and confidential
The information contained in this
drawing is the sole property of
Dela-Past injection moulding products.
Any reproduction in part or as a whole
without the written permission of,
Dela-Past injection moulding products,
is prohibited.

PIC 4

Dela-Past injection moulding products
Tel/Fax 012 391 7002
e-mail; dela-plast@lantic.net