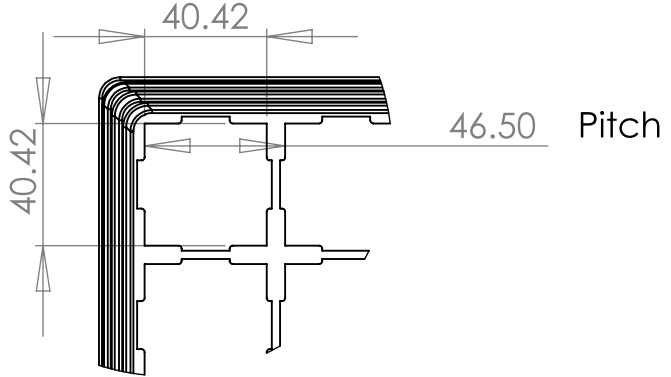
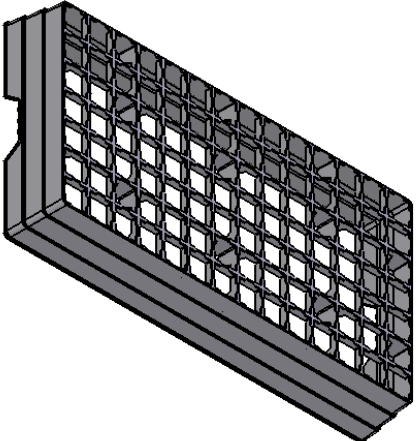
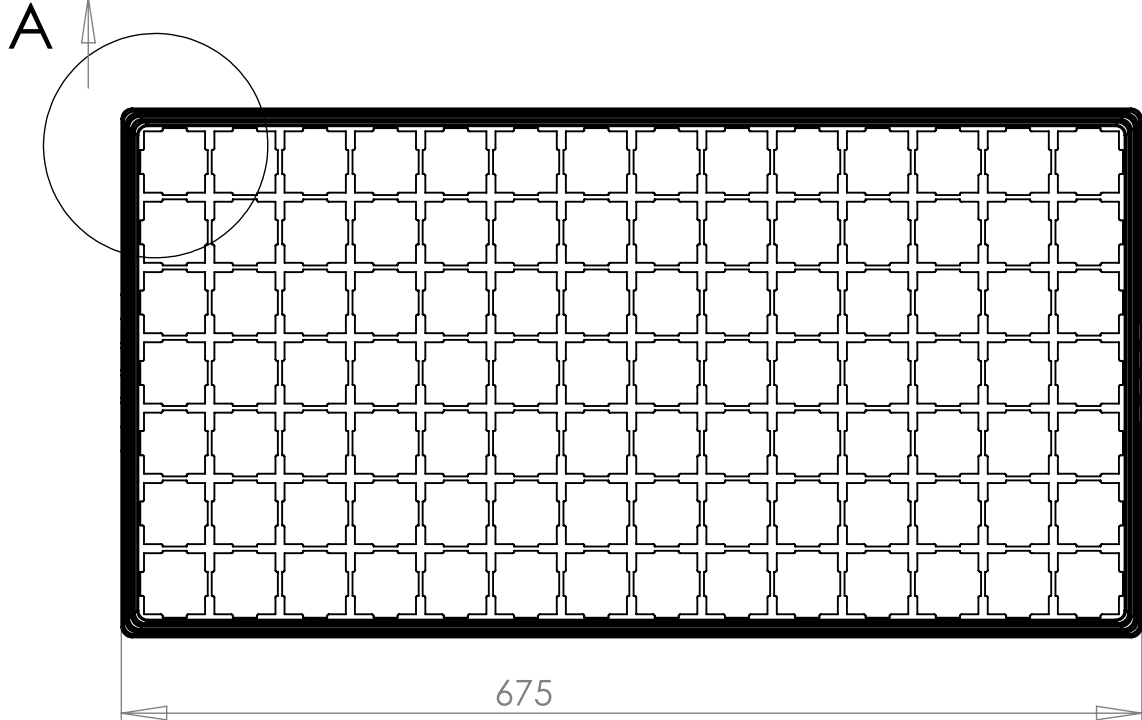
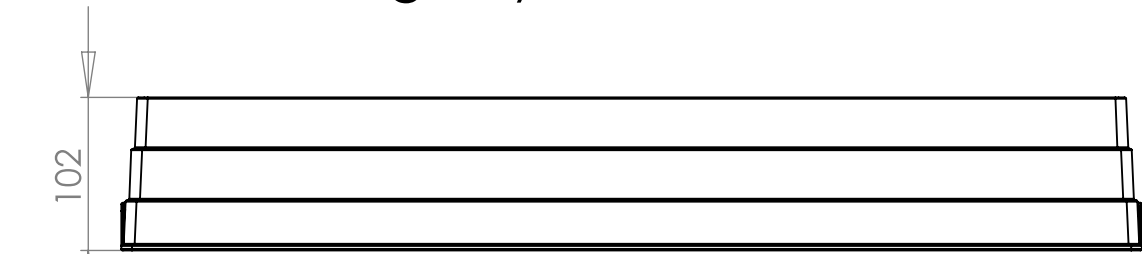
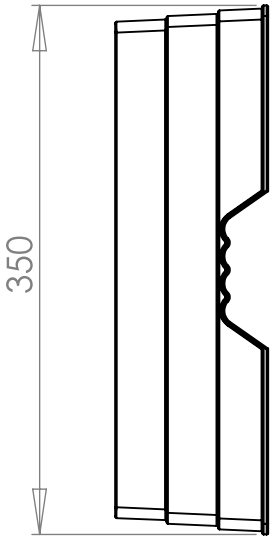


# Seedling tray for 98 Container



DETAIL A  
SCALE 2 : 5



Proprietary and confidential  
The information contained in this drawing is the sole property of Dela-Past injection moulding products. Any reproduction in part or as a whole without the written permission of, Dela-Past injection moulding products, is prohibited.

## Seedling Tray 98

Dela-Plast Injection Moulding Products  
Tel/Fax: +27 12 391 7002  
Email: dela-plast@lantic.net

