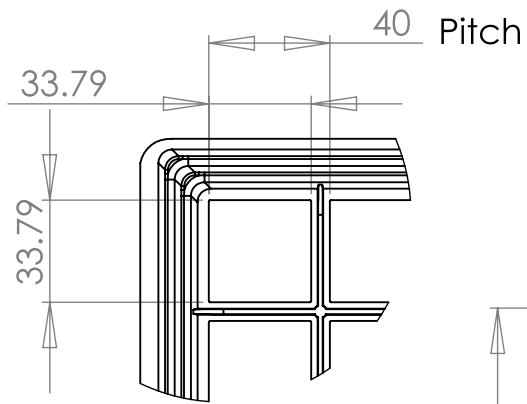
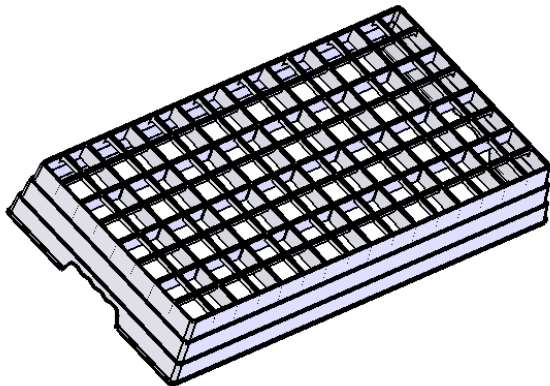
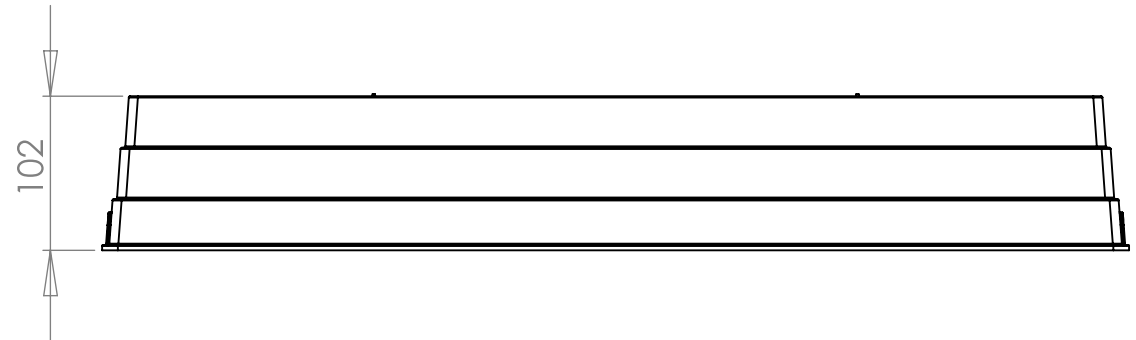
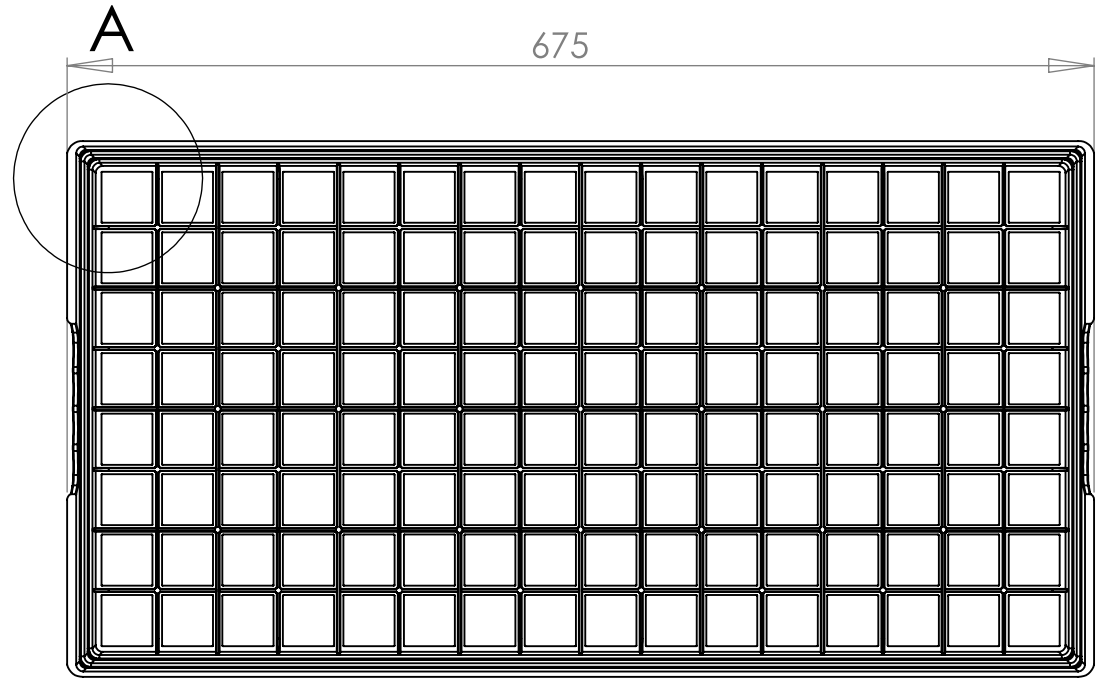
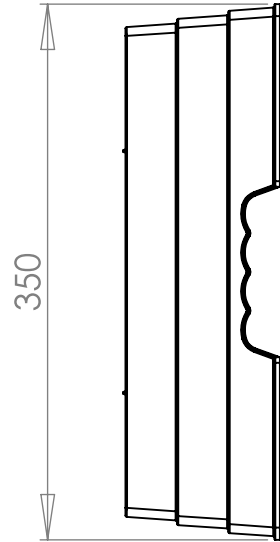


Seedling tray for 128 Container



DETAIL A
SCALE 2 : 5



Proprietary and confidential
The information contained in this
drawing is the sole property of
Dela-Past injection moulding products.
Any reproduction in part or as a whole
without the written permission of,
Dela-Past injection moulding products,
is prohibited.

Seedling tray 128

Dela-Past Injection Moulding Products
Tel/Fax: +27 12 391 7002
Email: dela-plast@lantic.net