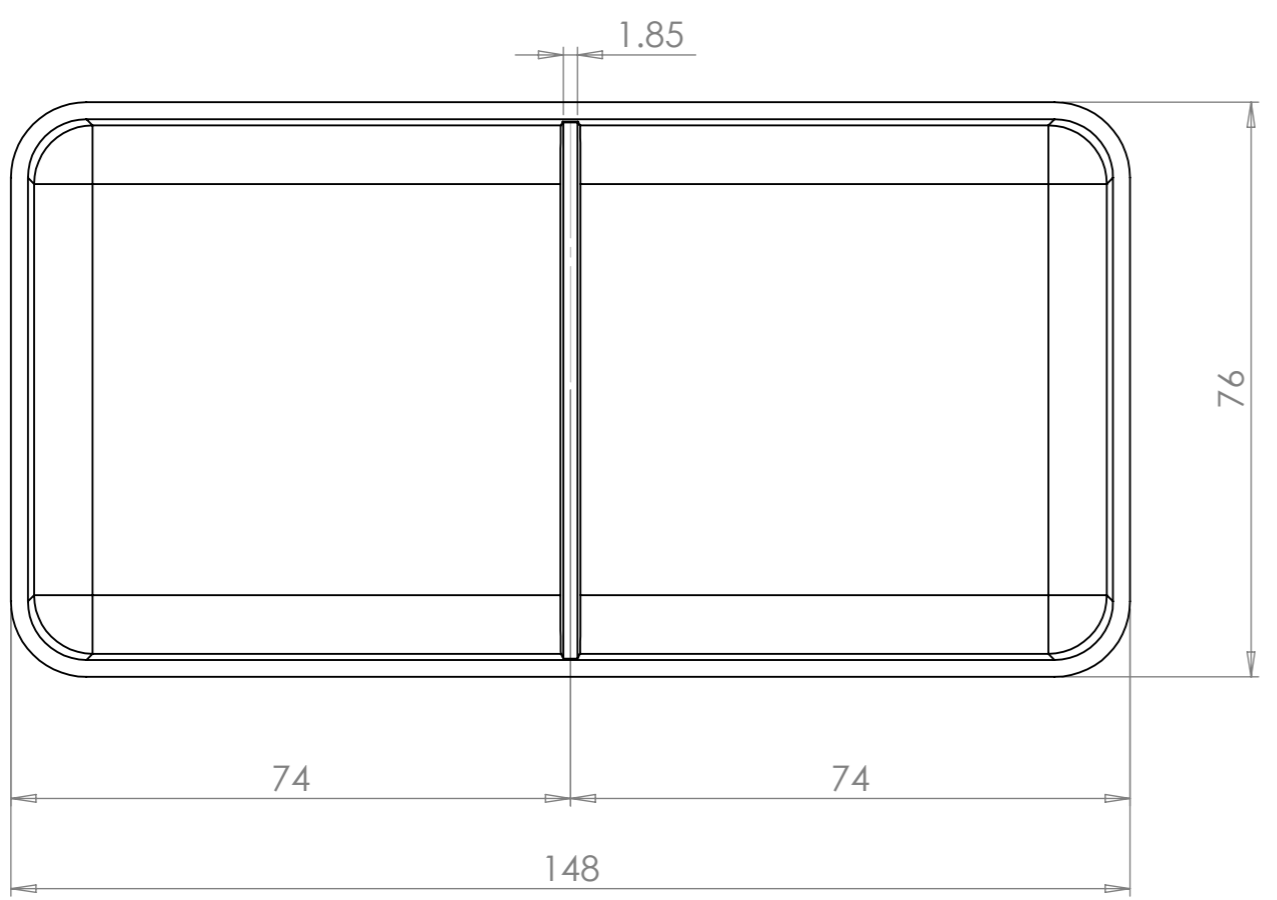


SECTION A-A



UNLESS OTHERWISE SPECIFIED: DIMENSIONS ARE IN MILLIMETERS		FINISH:		DEBUR AND BREAK SHARP EDGES		DO NOT SCALE DRAWING		REVISION	
SURFACE FINISH:									
TOLERANCES:									
LINEAR:									
ANGULAR:									
						TITLE:			
DRAWN						Insert Bin 150 x 76 with Divider			
CHK'D									
APPV'D									
MFG									
Q.A						MATERIAL:		DWG NO.	
								268 - 357	
						WEIGHT:		SCALE:1:1	
								SHEET 1 OF 1	

A3