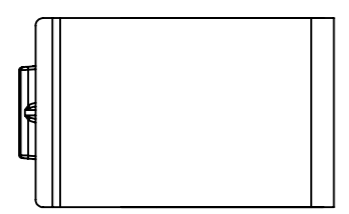
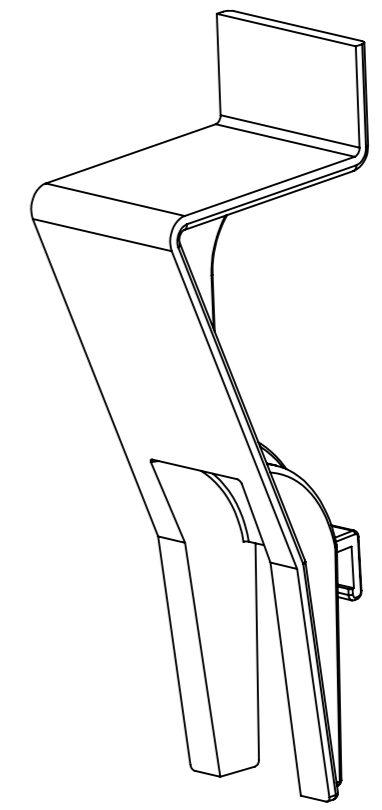


SECTION A-A



UNLESS OTHERWISE SPECIFIED: DIMENSIONS ARE IN MILLIMETERS SURFACE FINISH: TOLERANCES: LINEAR: ANGULAR:			FINISH:		DEBUR AND BREAK SHARP EDGES		DO NOT SCALE DRAWING		REVISION		
DRAWN			NAME		SIGNATURE		DATE		TITLE:		
CHK'D									Front Stopper Basal		
APPV'D											
MFG									DWG NO.		A3
Q.A									268-390		
									SCALE:1:1		SHEET 1 OF 1
									WEIGHT:		