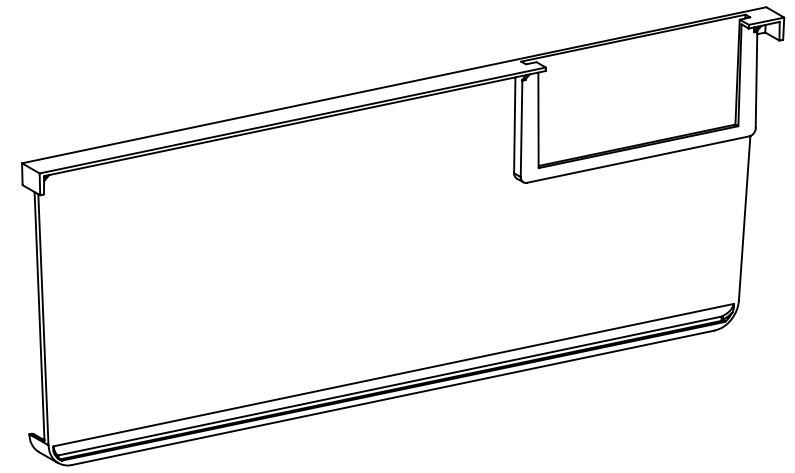


SECTION A-A



UNLESS OTHERWISE SPECIFIED: DIMENSIONS ARE IN MILLIMETERS SURFACE FINISH: TOLERANCES: LINEAR: ANGULAR:				FINISH:		DEBUR AND BREAK SHARP EDGES		DO NOT SCALE DRAWING		REVISION	
DRAWN						TITLE:					
CHK'D						Divider Bosal 240					
APPV'D											
MFG						DWG NO.					
Q.A.						268 - 397					
						MATERIAL:					
						WEIGHT:					
						SCALE:1:1					
						SHEET 1 OF 1					
						A3					