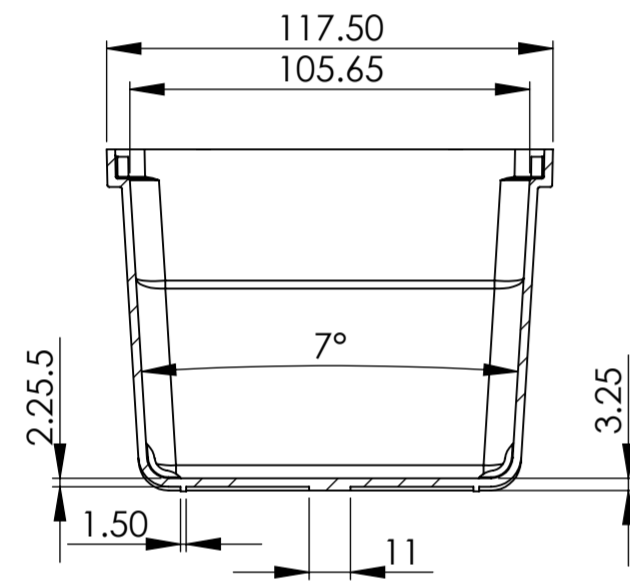
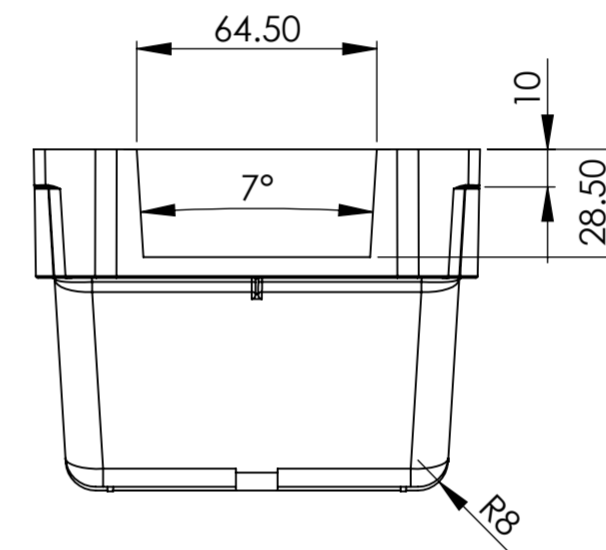
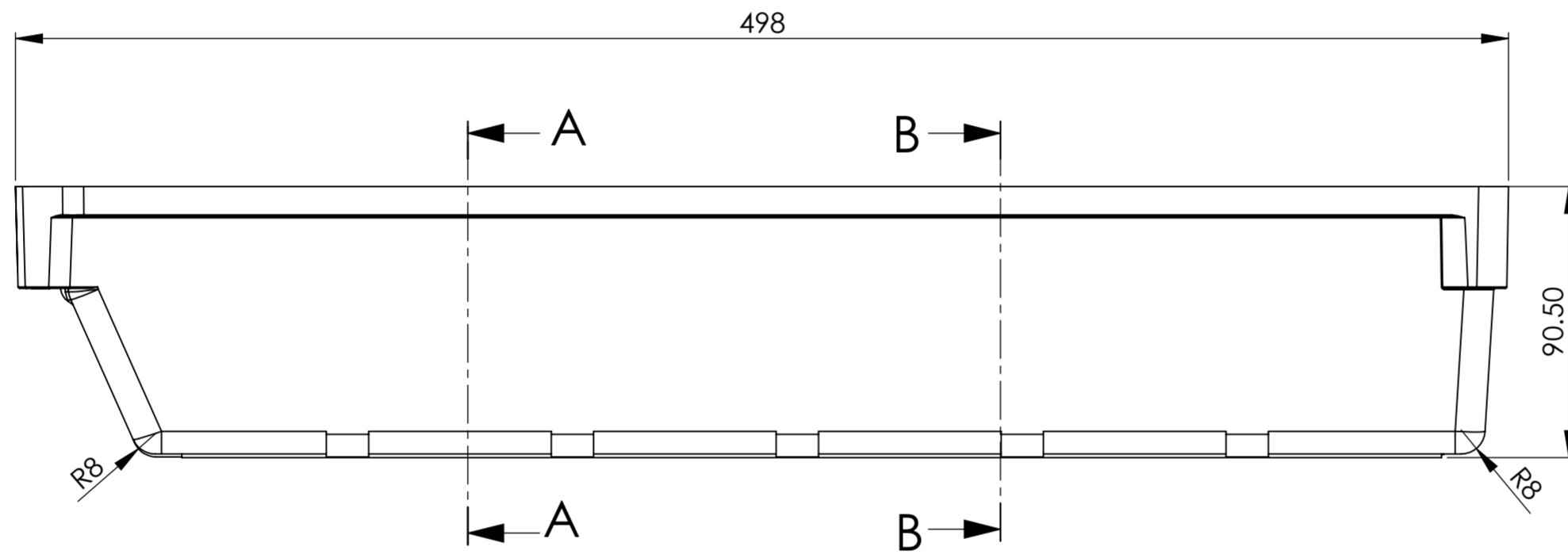


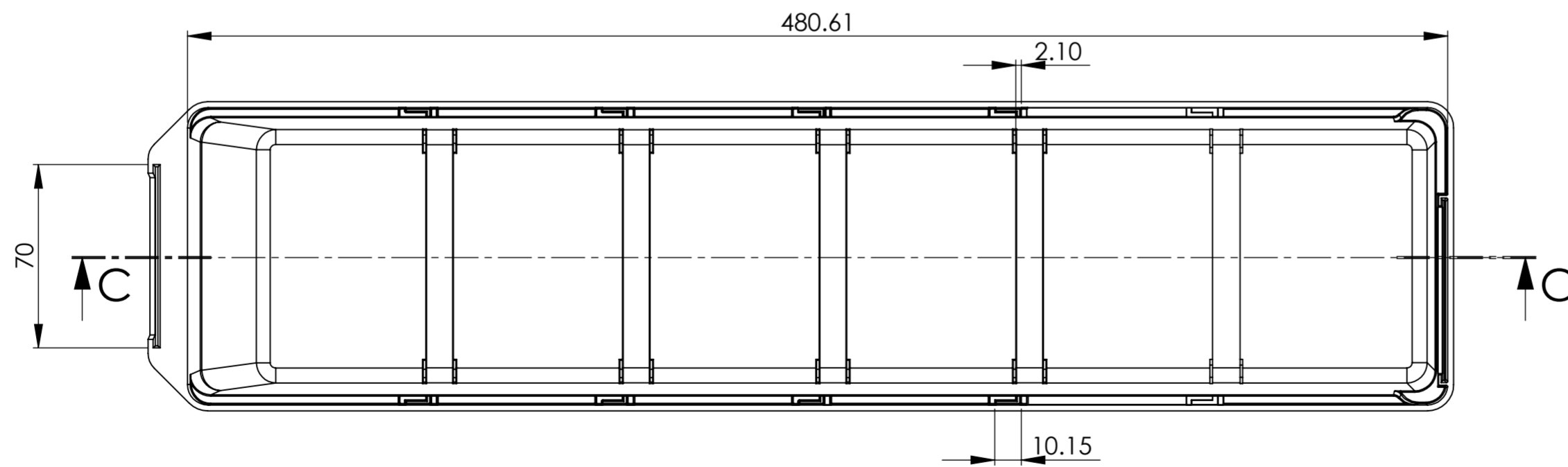
SECTION C-C



SECTION A-A



SECTION B-B



UNLESS OTHERWISE SPECIFIED: DIMENSIONS ARE IN MILLIMETERS		FINISH:		DEBUR AND BREAK SHARP EDGES		DO NOT SCALE DRAWING		REVISION	
SURFACE FINISH:									
TOLERANCES:									
LINEAR:									
ANGULAR:									
DRAWN:	NAME	SIGNATURE	DATE			TITLE:			
CHK'D:						Bin Bosal 500 x 120			
APP'V'D:									
MFG:									
Q.A:									
						MATERIAL:	DWG NO.	A2	
							268 - 398		
						WEIGHT:	SCALE:1:2	SHEET 1 OF 1	