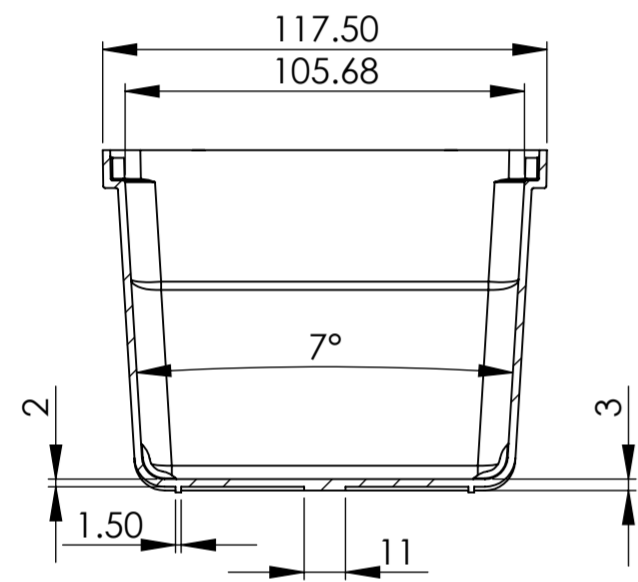
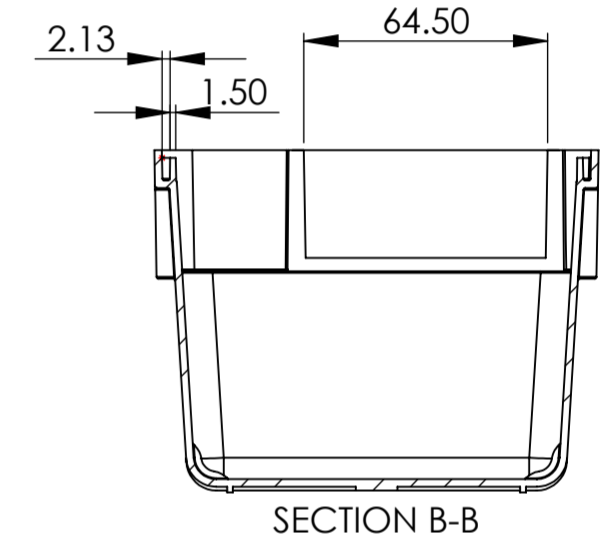
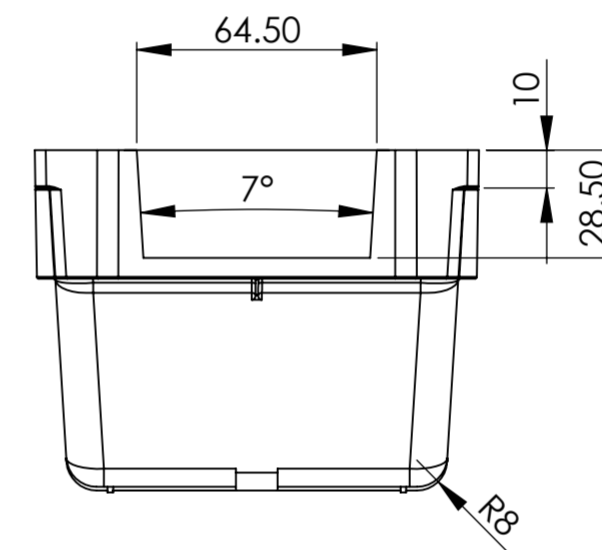
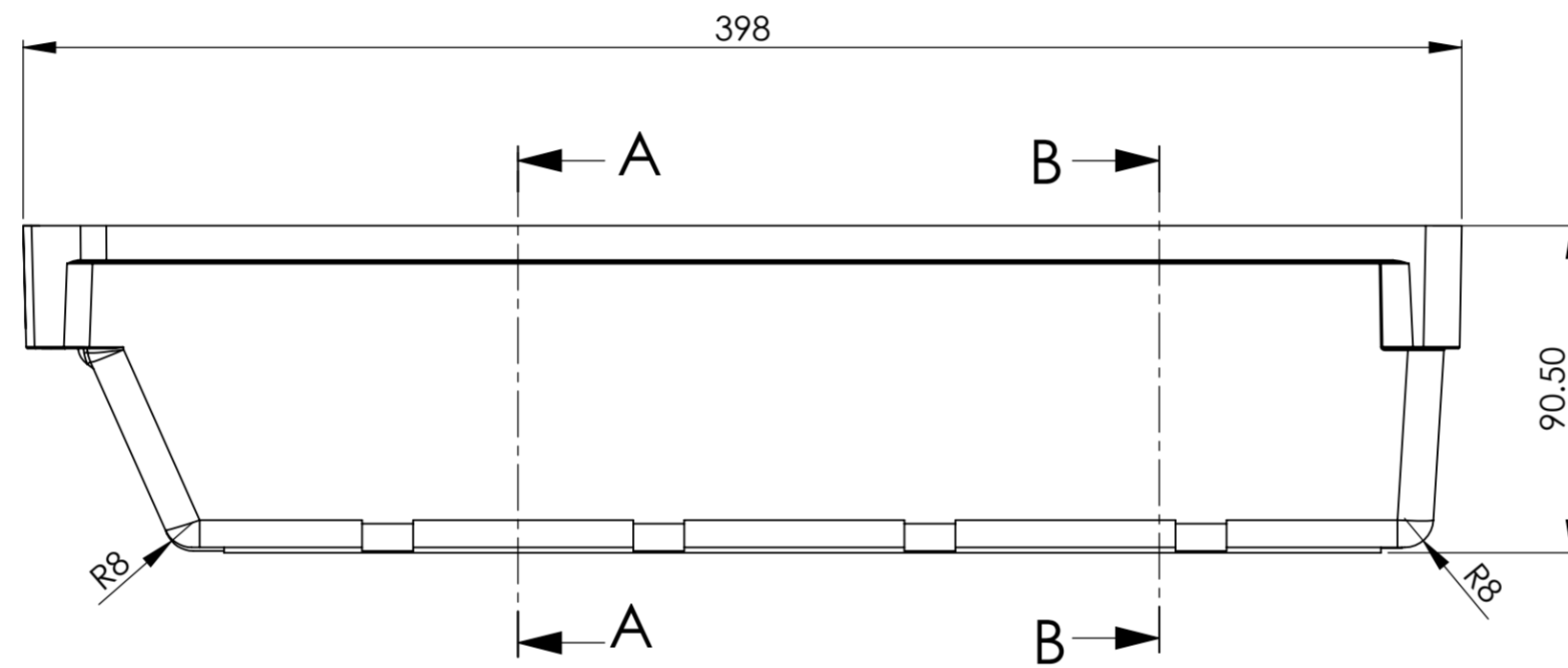


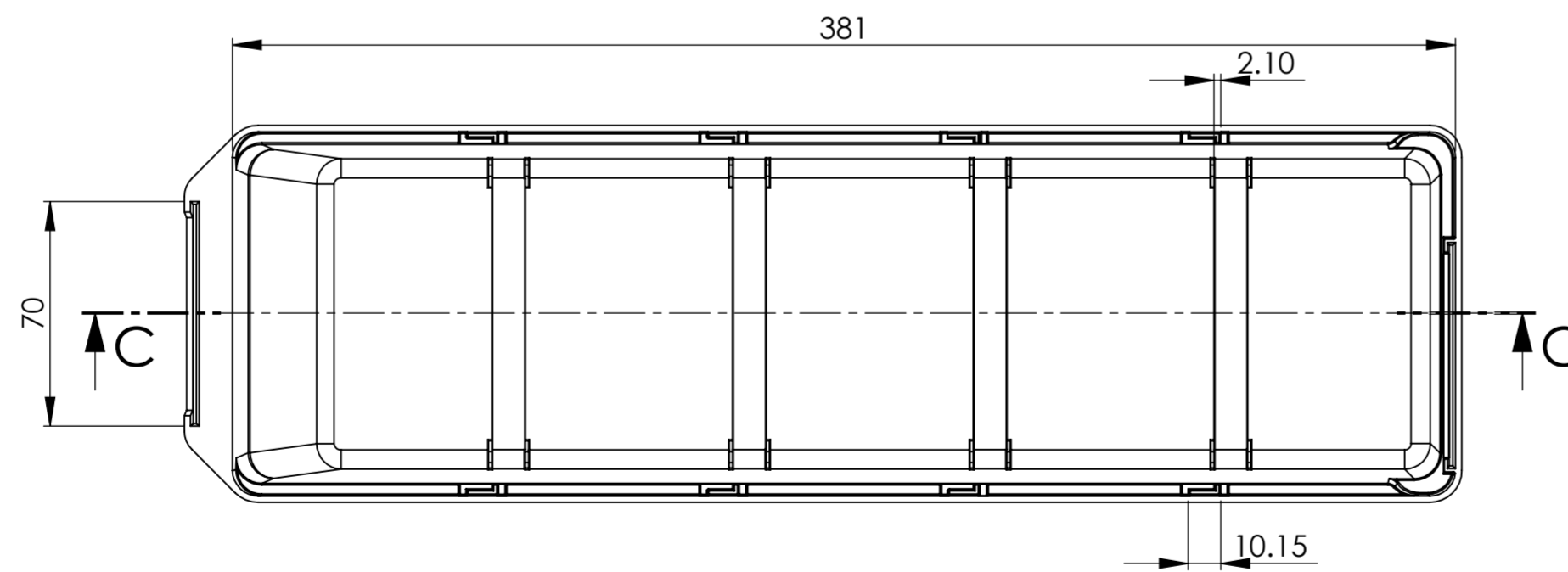
SECTION C-C



SECTION A-A



SECTION B-B



UNLESS OTHERWISE SPECIFIED: DIMENSIONS ARE IN MILLIMETERS		FINISH:		DEBUR AND BREAK SHARP EDGES		DO NOT SCALE DRAWING		REVISION	
SURFACE FINISH:									
TOLERANCES:									
LINEAR:									
ANGULAR:									
DRAWN:		NAME	SIGNATURE	DATE		TITLE:			
CHK'D:						Bin Bosal 400x120			
APP'V'D:									
MFG:									
Q.A:						MATERIAL:		DWG NO.	
								268 - 394	
						WEIGHT:		SCALE:1:2	
								SHEET 1 OF 1	
								A2	