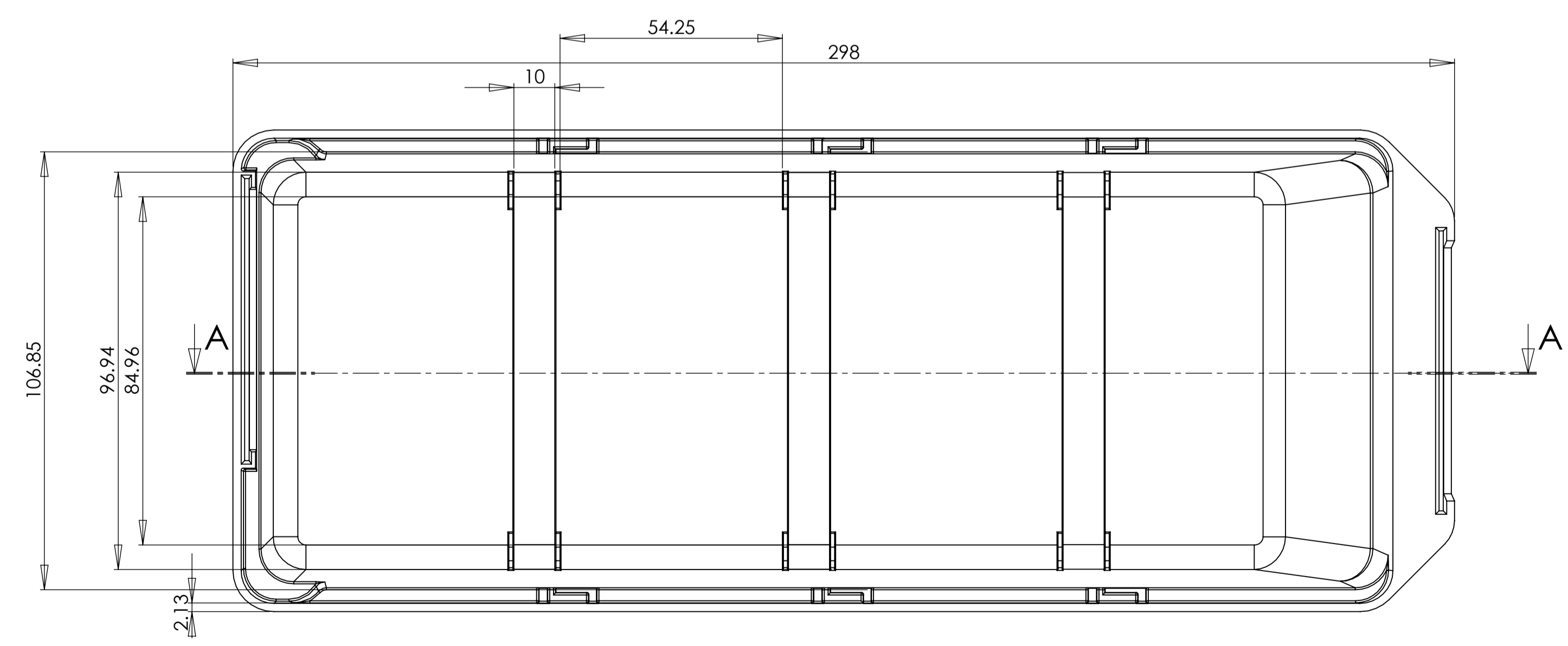
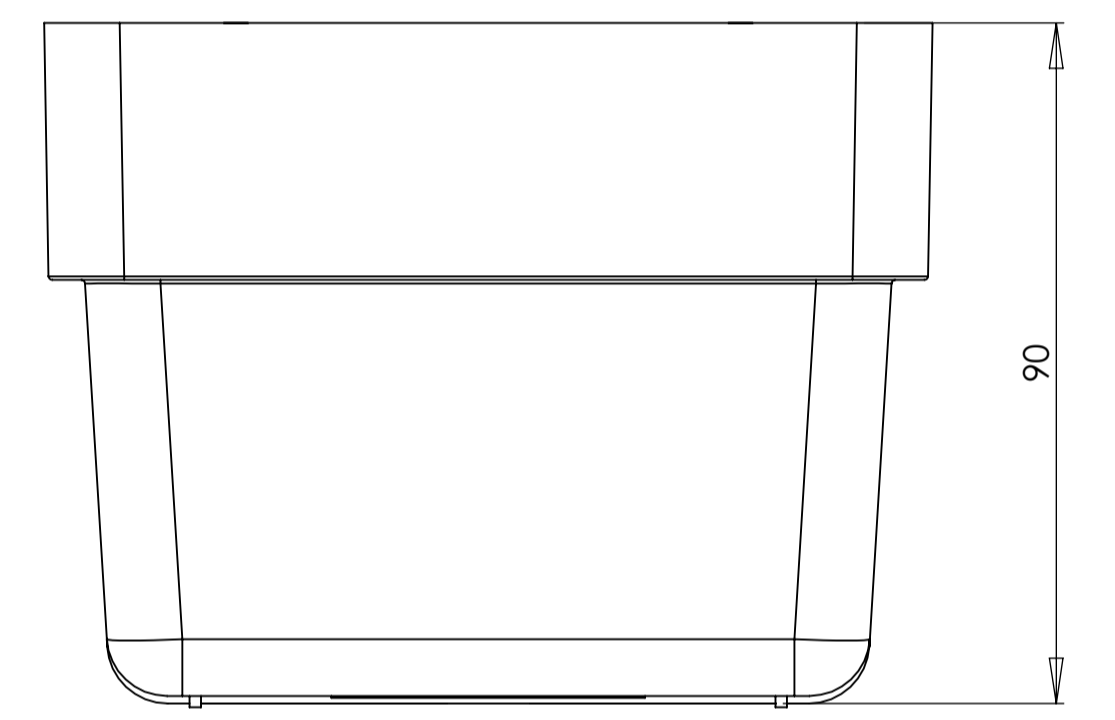
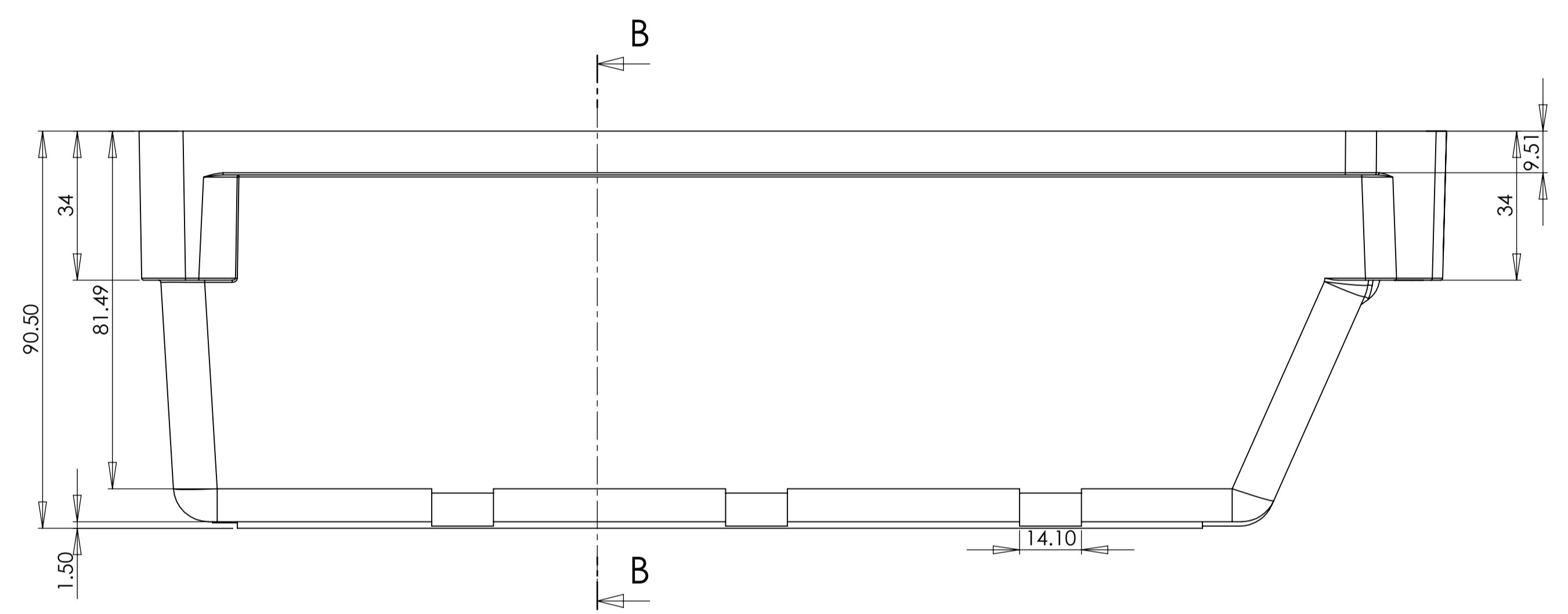


SECTION B-B



UNLESS OTHERWISE SPECIFIED: DIMENSIONS ARE IN MILLIMETERS		FINISH:	DEBUR AND BREAK SHARP EDGES		DO NOT SCALE DRAWING	REVISION
SURFACE FINISH:						
TOLERANCES:						
LINEAR:						
ANGULAR:						
DRAWN:	NAME:	SIGNATURE:	DATE:			TITLE:
CHK'D:						Bosal 300 x 120
APP'VD:						
MFG:						
Q.A:						
				MATERIAL:	DWG NO.:	A1
				WEIGHT:	268 - 392	
					SCALE:1:1	SHEET 1 OF 1